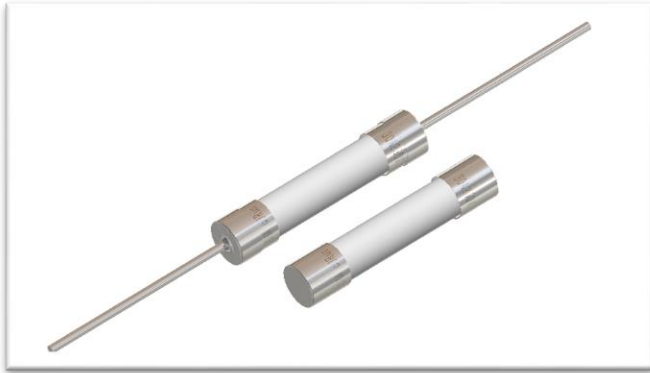


Type CTH

Time-Lag Ceramic Tube Fuses Series



Description

12.5A to 40A, 125V/250V/660V in accordance to UL 248-1/UL 248-14 and IEC60127

Operating Temperature

-55°C~+125°C

Soldering Method

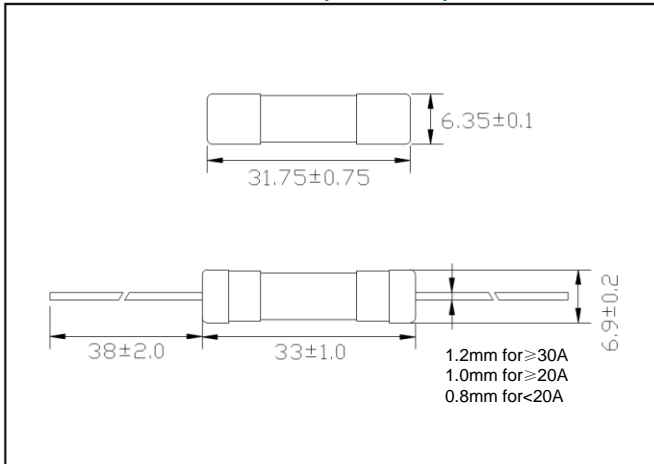
Wave soldering: 260°C, 10s max.

Manual soldering: 350°C, 5s max.

Packaging Option

Standard pack of 200pcs per box and 100pcs for Axial Lead

Mechanical Dimensions(Unit:mm)



Ordering Information

FUSE TYPE	CTH	2200	2	01
CTH				
AMPERE RATING				
20A(10 ² x200mA)				
VOLTAGE RATING				
1:125V 2:250V 6:660V				
COMPLEMENT				
00:Standard 01:Axial Lead				

Agency Approvals.

Safety Agency	Agency File Number	Ampere Range Volt@I.R.ABILITY
	E485357	12.5A~40A 10kA@125V AC 12.5A~40A 1000A@250V AC 12.5A~40A 750A@250V AC 12.5A~40A 200@660V AC
	J 50535433	12.5A~40A 1500A@250V AC

Electrical Characteristics for Series

% of Ampere Rating	Opening Time
100%	4hour Min
135%	1hour Max
200%	2min. Max

Electrical Characteristic Specifications by Item

Catalog Number	Ampere Rating(A)	Voltage Rating(V)	Breaking Capacity	Nominal Melting I ² t(A ² sec.)	Approvals	
					cURus	TUV
CTH2125	12.5A	125V AC 250V AC 660V AC	10000A@125V AC 1500A@250V AC 1000A@250V AC 750A@250V AC 200A@660V AC	312	●	●
CTH2150	15A			450	●	●
CTH2160	16A			512	●	●
CTH2200	20A			800	●	●
CTH2250	25A			1250	●	●
CTH2300	30A			1800	●	●
CTH2400	40A			3200	●	●

Packaging

Packaging Option	Packaging Specification	Quantity
Standard	N / A	200
Axial Lead	N / A	100